

TOWN OF DELMAR

Code Enforcement Officer
100 S. Pennsylvania Ave.
Delmar, MD 21875
Ph: 410-896-2777/302-846-2664
Fax: 410-896-9055
www.townofdelmar.us

Tax ID #: _____

PLUMBING APPLICATION

PROJECT OWNER INFORMATION

Application Date: _____ Est. Cost of Construction: \$ _____

Name of Property Owner(s): _____

Project Address: _____

Project Description: _____

Type of Construction & Material: _____

Water Meter: Backflow Preventor: Rough in - Underground:
Sewer Service Line: Water Meter Pit: Rough in - Aboveground:
Water Service Line: Irrigation: Other:

PLUMBING CONTRACTOR'S INFORMATION

Contractor's Name: _____

Mailing Address: _____ Business Phone: ()

City: _____ State: _____ Zip: _____ Plumber License # _____

CONTACT PERSON

(Contact Person will receive ALL correspondence, notices and questions regarding plan review)

Name of Contact: _____ Phone: () -

Email: _____

I hereby certify that I have read & completed this application and know the same to be true & correct. All provisions of the law & ordinances governing the proposed work will be complied whether specified or not. I certify I am a registered and insured master Plumber as required by the State of Delaware and Maryland Board of Plumbing. The granting of a permission does not presume to give authority to violate or cancel the provisions of any other state or local law regulating construction of the performance of construction.

Applicant's Name: _____ Phone: () -

Office Use Only

Pass:

Fail:

Water Meter # _____

Account # _____

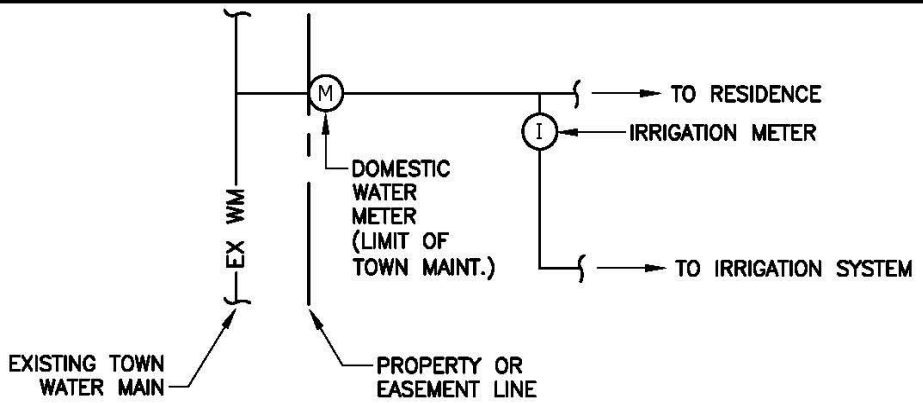
Approvals

Date/Initials

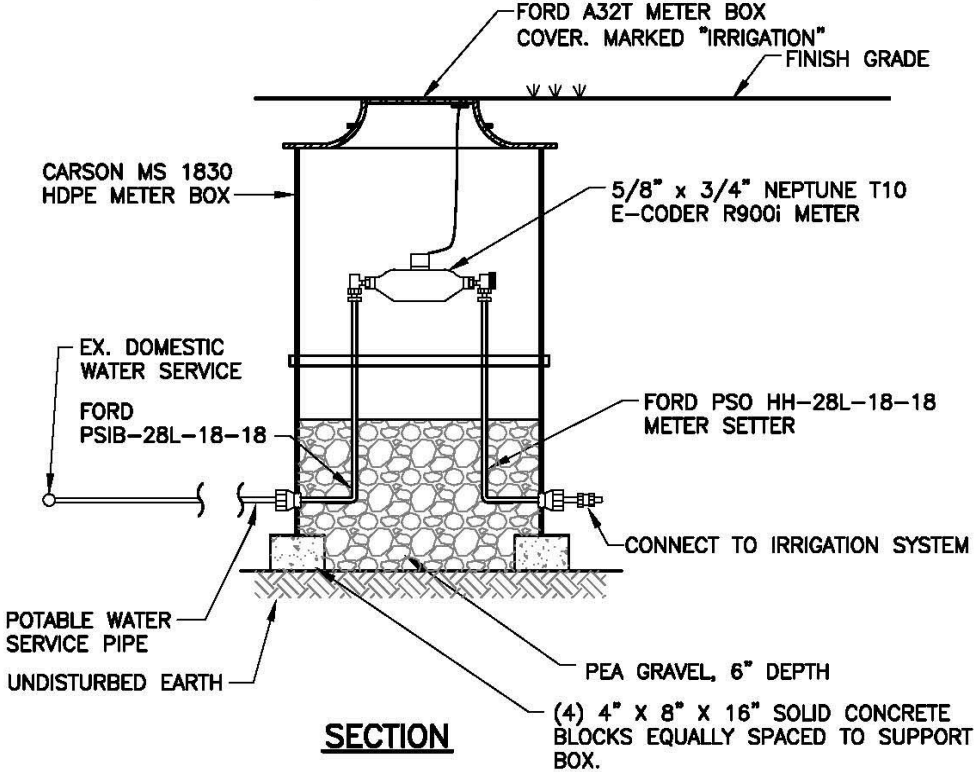
<input type="checkbox"/> Plumbing Code:	<input type="checkbox"/> Zoning Code:	
<input type="checkbox"/> Review – Municipal Clerk/ Office Manager:	Permit Fee: \$	
<input type="checkbox"/> Review – Public Works:		
<input type="checkbox"/> Review – Planning & Zoning:		

Forward a copy of application to Water Treatment Plant

C:\Users\bozp\appdata\local\temp\AcPublish_6772\DE-3B-04A.DWG Jan 13, 2016 - 10:27am, (bozp)



SCHEMATIC PLAN



SECTION

NOTES:

1. IRRIGATION METER ASSEMBLY TO BE INSTALLED ON PRIVATE PROPERTY. METERS SHALL NOT BE INSTALLED IN DRIVEWAYS.
2. ALL WORK, INCLUDING CONNECTION TO DOMESTIC WATER SERVICE, SHALL BE MADE BY A LICENSED PLUMBER USING EQUIPMENT AND MATERIALS APPROVED FOR POTABLE WATER SYSTEMS PER NSF-61.
3. ALL P.E. PIPE CONNECTIONS SHALL HAVE S.S. INSERT STIFFENERS.
4. HOMEOWNER SHALL BE RESPONSIBLE FOR DESIGN OF IRRIGATION SYSTEM, INCLUDING HYDRANT FLOW TESTING BY A TOWN APPROVED ENTITY, AS NECESSARY.
5. ANY WORK ON TOWN WATER SYSTEM SHALL BE REQUESTED AND APPROVED PRIOR TO STARTING WORK AND WITNESSED BY THE TOWN OR AUTHORIZED PERSONNEL. PROPERTY OWNER SHALL HAVE AN APPROVED IRRIGATION SYSTEM PERMIT FROM THE TOWN PRIOR TO CONNECTING TO THE IRRIGATION SYSTEM.
6. ANY DEVIATIONS FROM THESE REQUIREMENTS MUST BE APPROVED BY THE TOWN IN WRITING.

TOWN OF DELMAR
DEPARTMENT OF PUBLIC WORKS
WATER & WASTEWATER DIVISION
CONSTRUCTION STANDARDS

RESIDENTIAL IRRIGATION METER SERVICE
REVISED 10/2015
(NO SCALE)

SECTION 3B

DRAWING 4A